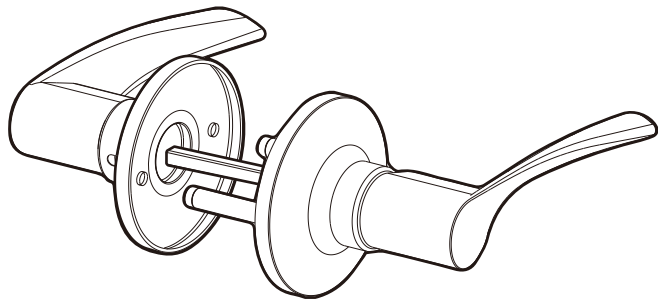
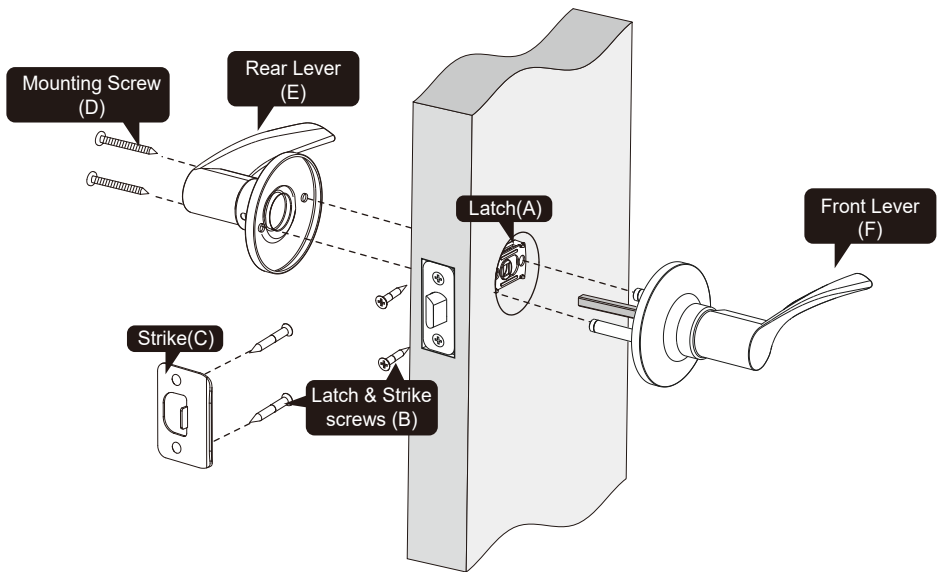


# 801

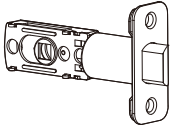


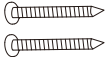

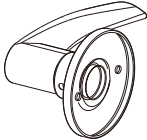
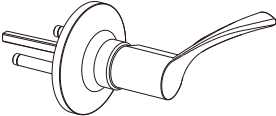
## Installation Instructions of Lever



Thank you for purchasing our products. Please review this manual thoroughly before operating your device.  
All pictures in this manual are for illustration purpose only. Actual product may vary due to product upgrade.



## Parts list

<p><b>A</b> Latch x1</p> 	<p><b>B</b> Latch &amp; Strike screws x4</p> 	<p><b>C</b> Strike x1</p> 
<p><b>D</b> Mounting Screw x2</p>  <p><b>H</b> Hand Tool x1</p> 	<p><b>E</b> Rear Lever x1</p> 	<p><b>F</b> Front Lever x1</p> 

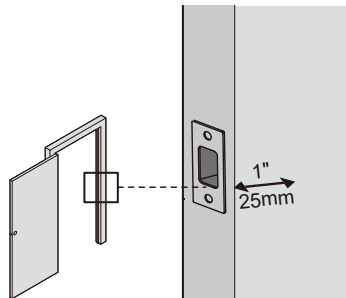
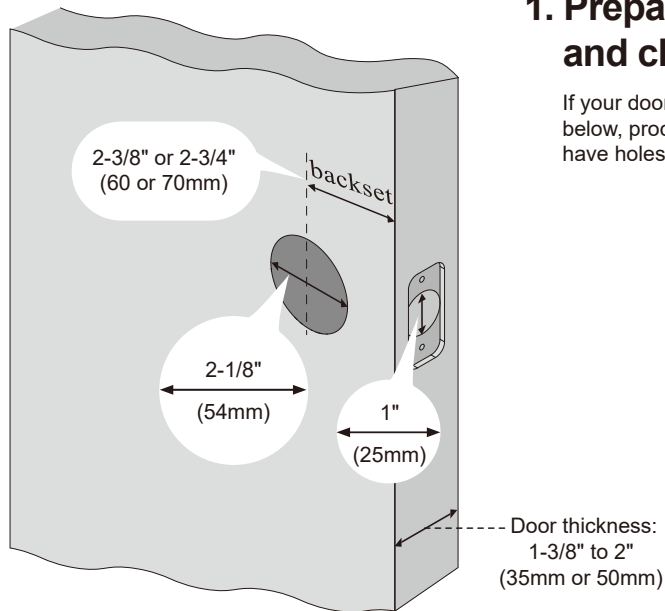
**TOOL REQUIRED:**



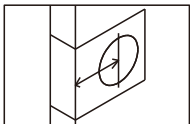
Do not use an electric screwdriver during installation.

## 1. Prepare the door and check dimensions

If your door already has the holes shown in the picture below, proceed to the next step, if your door does not have holes, use the mounting template to drill a new hole.



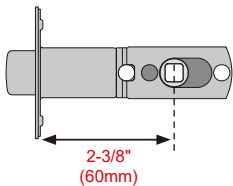
## 2. Latch backset adjustment



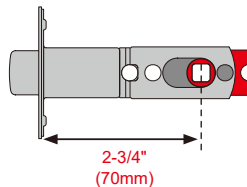
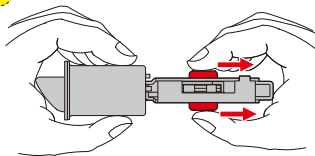
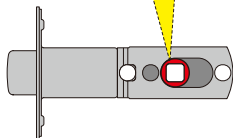
Backset is the distance from the door edge to the center of the hole in the door.

The latch is provided with adjustable design which can fit either 2-3/8" (60mm) or 2-3/4" (70mm) backset.

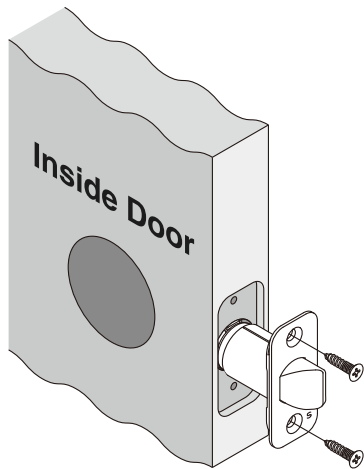
**A.** If the backset of your door is 2-3/8" (60mm), no need to adjust the latch.



**B.** If the backset of your door is 2-3/4" (70mm), please adjust the latch.

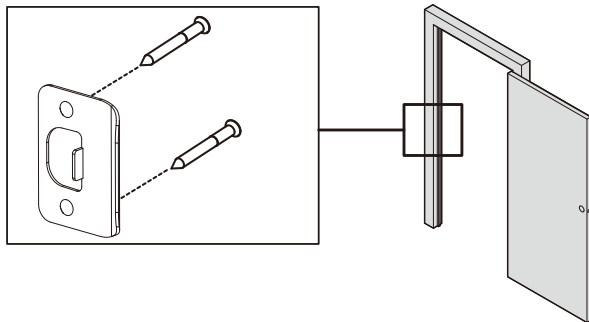


### 3. Install latch and strike



**! IMPORTANT:**

The latch should be aligned with the chiseled properly.



**! IMPORTANT:**

Make sure the hole in door frame is drilled a minimum of 1" (25mm) deep.

## 4. Reverse lever direction (Optional)

### **IMPORTANT:**

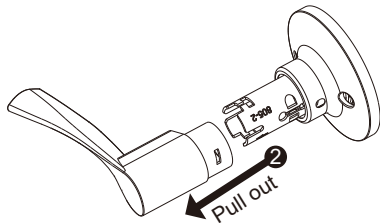
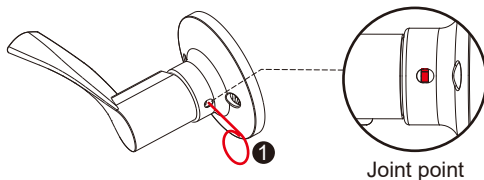
The front lever is installed for right-handed door in default. If your door is left-handed, please exchange the front and rear lever with each other.

### **WARM REMINDER:**

While you exchange the lever direction, the edge of inner mechanism may be a little sharp, please protect your hands from being hurt.

### A. Rear Lever disassembly steps :

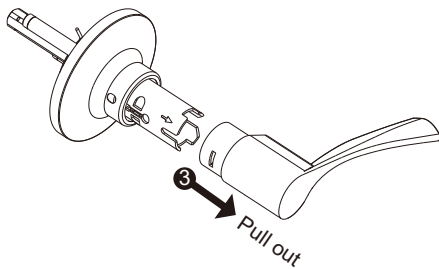
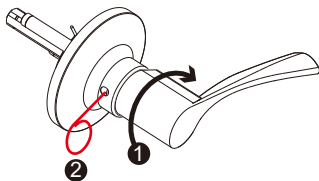
1. Find the joint point, press the point by using the Hand Tool.
2. Till the joint point is pressed down completely, then pull out the lever. Sometimes, it may happen that the joint point is unable to be pressed down completely, in this case, please press the joint point along with pulling out the lever.



## B. Front Lever disassembly steps :

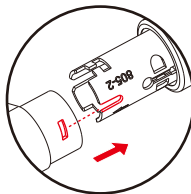
1. Rotate the lever and find the joint point of the lever through the hole on the housing.
2. Press the joint point with the Hand Tool, till the joint point is pressed down completely, then pull out the lever.

Sometimes, it may happen that the joint point is unable to be pressed down completely, in this case, please press the joint point along with pulling out the lever.



## C. Exchange the lever

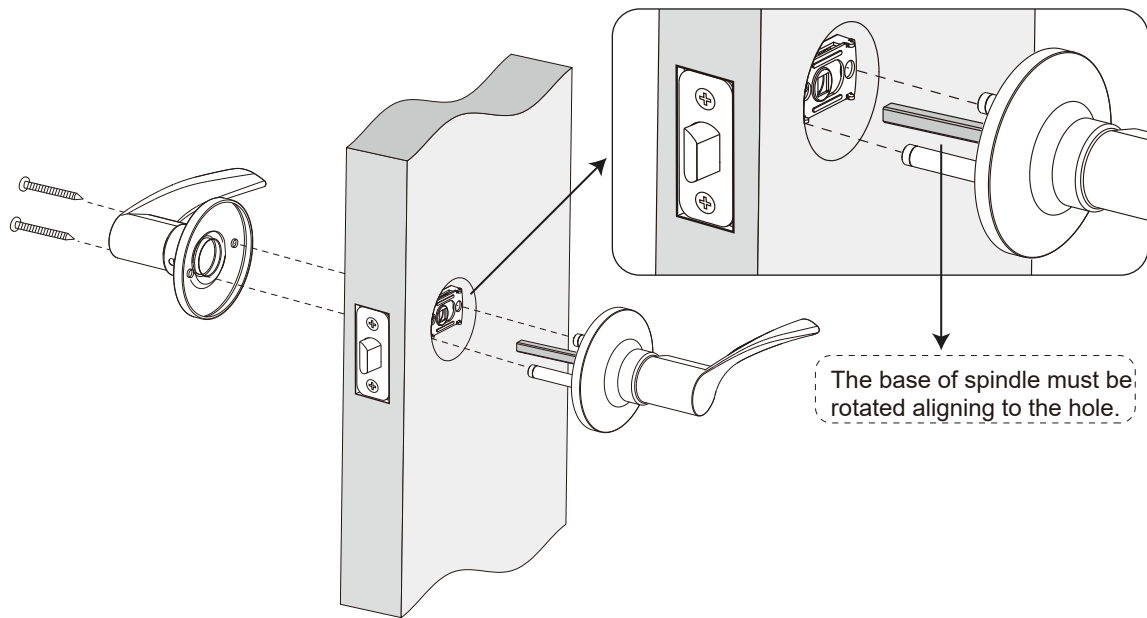
Exchange the lever of front and rear with each other, press the lever back till you hear a mild "Ding" sound.



Align the hole with the inside joint point



## 5. Install front and rear lever



## 6. Test the Lever

Keep the door open, checking out front and rear lever to test if it works smoothly.

